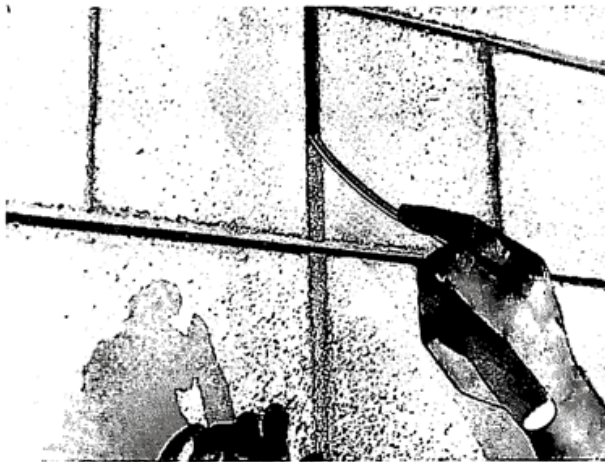


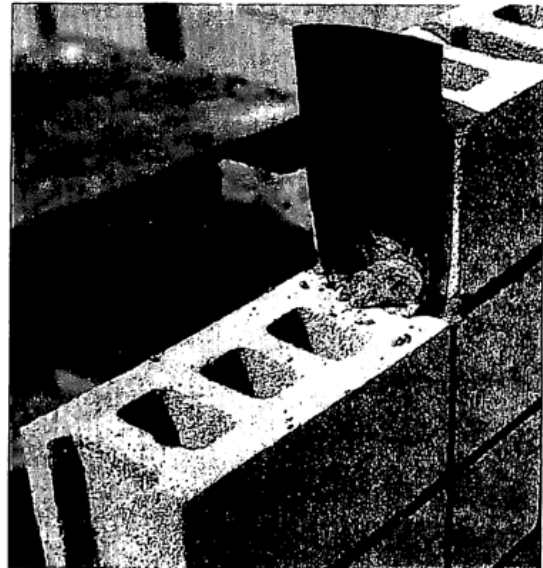
# Control Joint Types

**Standard Vertical Control Joint  
(un-keyed)**



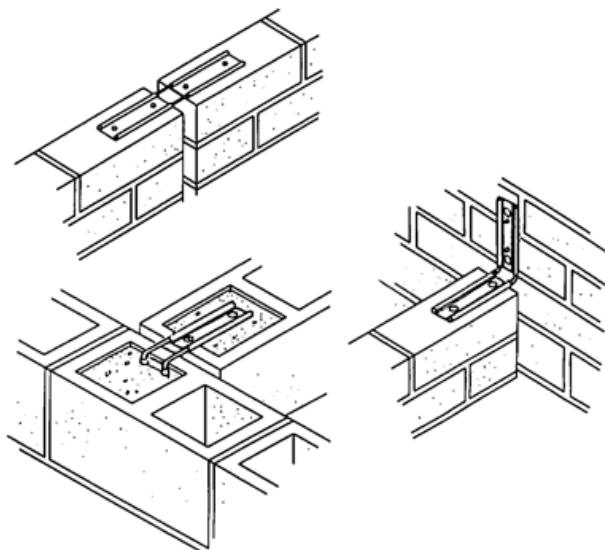
**Fig. 4-25.** At a control joint, mortar is raked out to a depth of  $\frac{3}{8}$  in. Either a pointing trowel (shown here) or a special wheeled rake may be used.

**Michigan Control Joint**



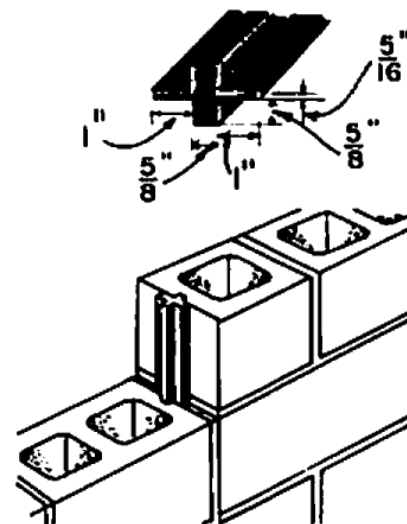
**Fig. 4-20.** Michigan-type control joint.

**Fabricated Key-Way**



**Fig. 4-24.** Joint stabilizing anchors allowing shrinkage or expansion through the joint.

**Preformed Sash Block with molded Key-Way**



**( b ) Control joint used with standard sash block**